



VFA®-Solutions
clean air everywhere

ASPRA® PMC

Product description



This powerful and unique air purifier easily and effectively removes large dust concentrations from large amounts of air. Ideal for application in steel processing, paper processing, factories, welding workplaces, agricultural intermediate spaces, distribution centres, public facilities and more.

The ASPRA PMC effectively removes particulate matter (PM) including course dust and ultrafine particles from the air. Resulting in increasing health and comfort working conditions and reducing cleaning costs / efforts.

The air purifier is equipped with a self-cleaning system, where course dust (PM10 and larger) is captured in a collecting medium at the inner part of the system. The finer particles as PM2.5, PM1 and Ultrafine (nano) particles are then captured on the special open structure collectors (particle filter). Due to this two phase filtration, the ASPRA PMC requires low maintenance. Outflow from 3 or 4 sides possible.

Benefits

- Equal to HEPA purification
- Effective reduction of all particles (coarse, fine and ultrafine)
- High capacity combined with high efficiency(99%)
- Effective for the removal and elimination of airborne microbes and viruses
- Self-cleaning system
- Low in maintenance
- Easy dust collection
- Low noise levels
- Free standing or attached to ceiling / walls
- Easily expanded for with localized air extraction or integration with ventilation ducts
- Tax benefit in the Netherlands via MIA/VAMIL

What will be removed from the air?

Fine dust Viruses Bacteria Fungi Smells Gases



Product details

Order code Outflow 3 sides	VFA10042_b / VFA10042_bP
Order code Outflow 4 sides	VFA10042_a / VFA10042_aP
Settings	Variable Speeds, 4 cleaning modes
Capacity	10.000 m³/h
Power	100 (at 4000 m³/h) - 700 W (at 10.000 m³/h)
Sound	58 dB (LpA)
Efficiency	99%
Size (outflow 3 sides)	1311 x 1525 x 3050 mm
Size (outflow 4 sides)	1525 x 1525 x 3050 mm
Materials	Galvanised steel
Air cleaning technique	ASPRA + self cleaning (option: ACF)
Self cleaning	For PM10
Power input	~230 V/ 50 - 60 Hz
Colours	Metal colour with white
Installation	Free standing on ground / attached to ceiling/walls
Conditions	Indoors in a ventilated space, 0-50 °C, relative humidity of 0-90%
Regulation	Decentral (central control is possible by integrating with Building Management System)
Control	Manual and/or central
Including	Collector KIT ASPRA PMC
Installation requirements	Compressed air: 6-10 bar with 15NL/ min (liter at 20°C & 1bar)
Excluding	Mounting material, air compressor with accessories

Suggested customizations	
Custom RAL colour fan tube / coated parts	
Stainless steel material	
Seperate air compressor	
Seperate PM2.5 sensors	
Central control of multiple devices	

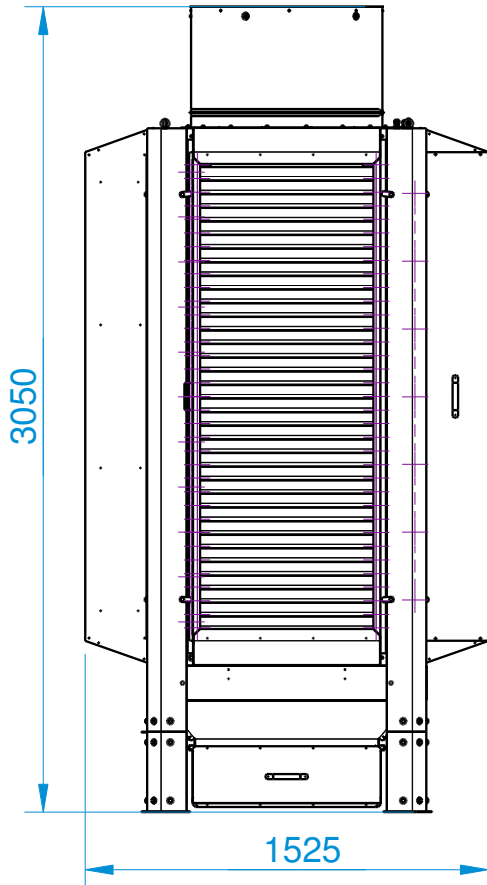
Collectors, ACF filters and extra's	Order code
Collector KIT ASPRA PMC (outflow 3 sides)	C PMC-9 EF110
Collector KIT ASPRA PMC (outflow 4 sides)	C PMC-12 EF110
Washable Prefilter ASPRA PMC (1 side)	Pre C PMC 2.0
Active Carbon Filter ASPRA PMC (1 side)	ACF PMC 2.0



VFA[®]-Solutions
clean air everywhere

Product sizes [mm]

Side view

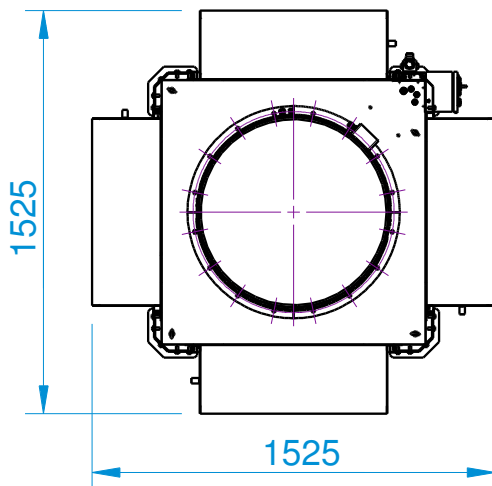


Filtration efficiency

99%

Even for PM1 &
Ultra-fine particles!

Top view (4-sided)



Width 3-sided: 1311 mm